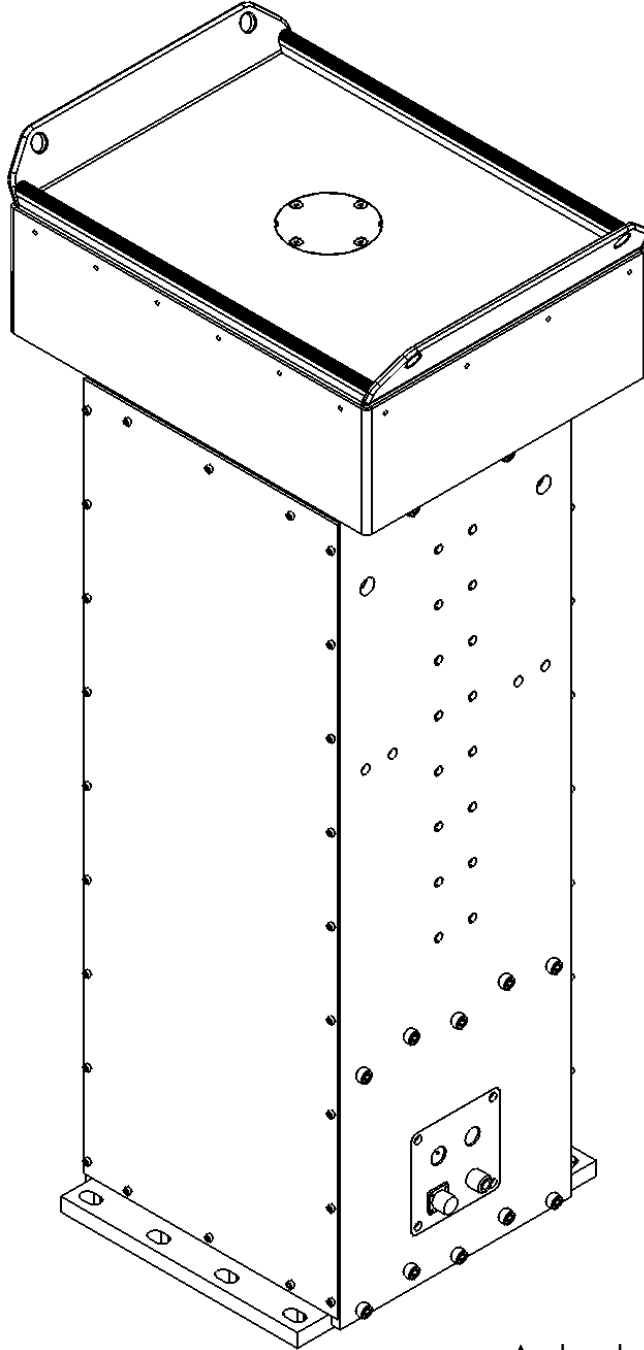


THE INFORMATION CONTAINED IN THIS DRAWING IS THE SOLE PROPERTY OF ROEHRIG ENGINEERING, INC. ANY REPRODUCTION IN PART OR WHOLE WITHOUT THE WRITTEN PERMISSION OF ROEHRIG ENGINEERING, INC. IS PROHIBITED.



Actuator Mass = 1500lbs
(without wheel pan)



UNLESS OTHERWISE SPECIFIED
DIMENSIONS ARE IN INCHES
TOLERANCES ARE:

DECIMALS	ANGLES
.X +/- .050	+/-1/4 DEG
.XX +/- .010	
.XXX +/- .003	

MATERIAL	--
FINISH	--
DO NOT SCALE DRAWING	

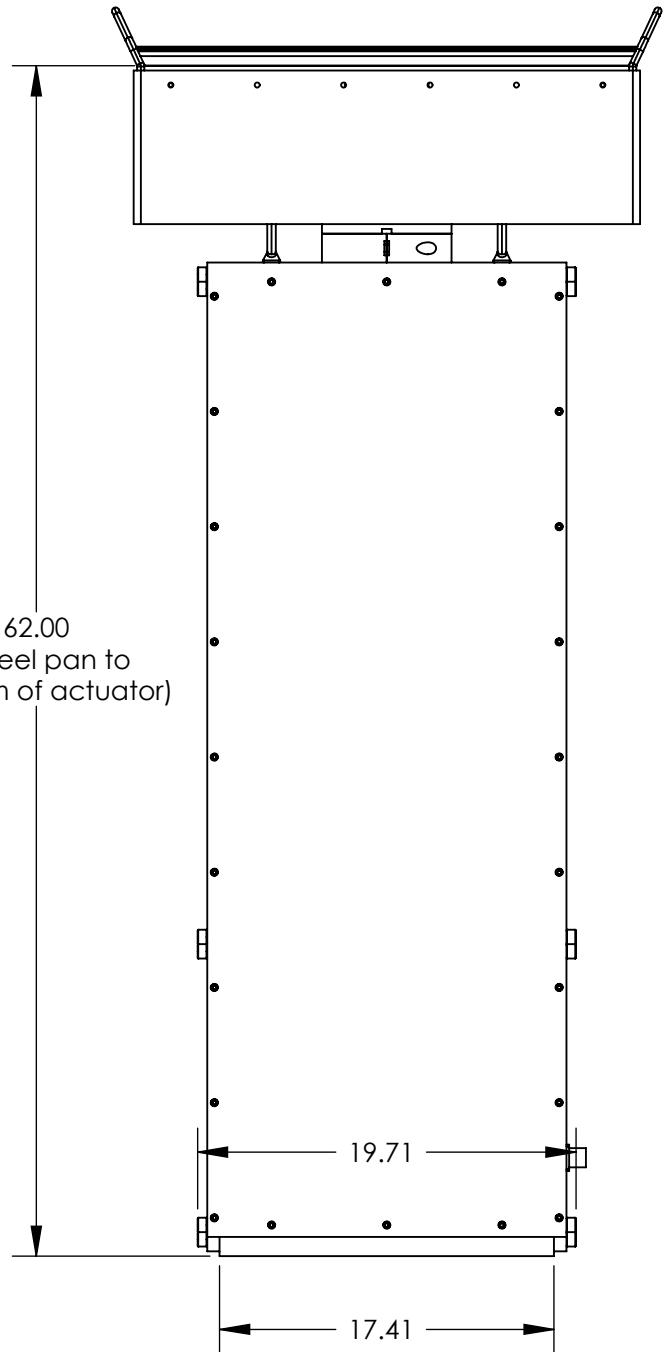
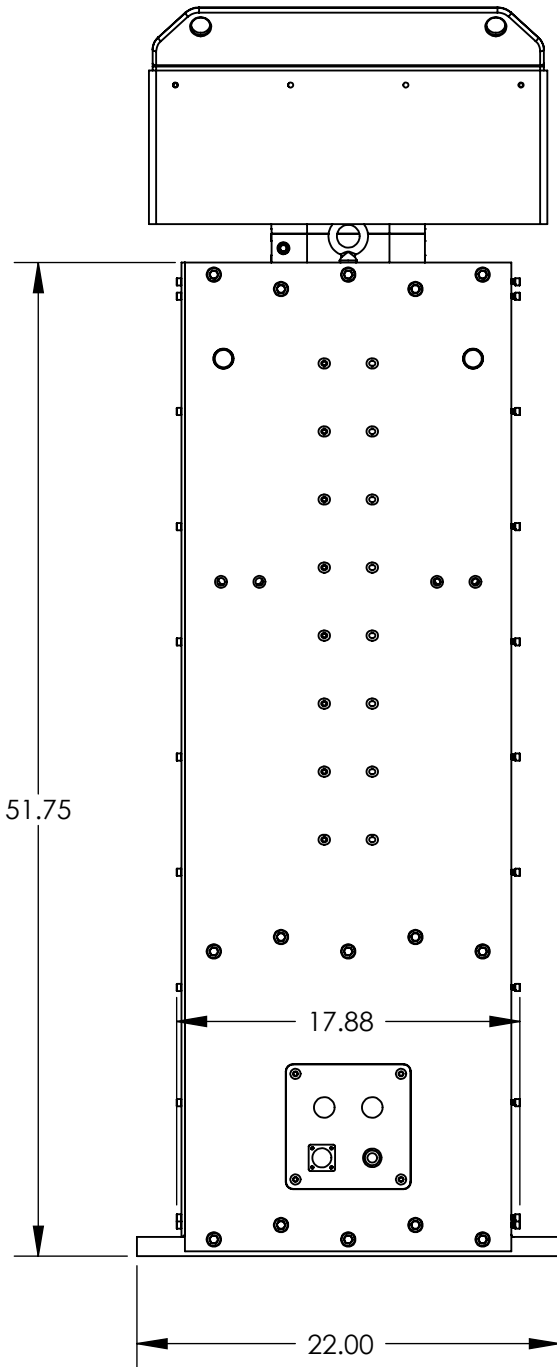
CAD GENERATED DRAWING,
DO NOT MANUALLY UPDATE

APPROVALS		DATE
DRAWN	MAF	10/1/2011
CHECKED		
RESP ENG		
MFG ENG		
QUAL ENG		

ROEHRIG ENGINEERING, INC.

DWG. NO.	--	REV.	0
SHEET 1 OF 4			

THE INFORMATION CONTAINED IN THIS DRAWING IS THE SOLE PROPERTY OF ROEHRIG ENGINEERING, INC. ANY REPRODUCTION IN PART OR WHOLE WITHOUT THE WRITTEN PERMISSION OF ROEHRIG ENGINEERING, INC. IS PROHIBITED.



UNLESS OTHERWISE SPECIFIED
DIMENSIONS ARE IN INCHES
TOLERANCES ARE:

DECIMALS ANGLES
.X +/- .050 +/-1/4 DEG
.XX +/- .010
.XXX +/- .003

MATERIAL --

FINISH --

DO NOT SCALE DRAWING

CAD GENERATED DRAWING,
DO NOT MANUALLY UPDATE

APPROVALS	DATE
DRAWN MAF	10/1/2011

CHECKED

RESP ENG

MFG ENG

QUAL ENG

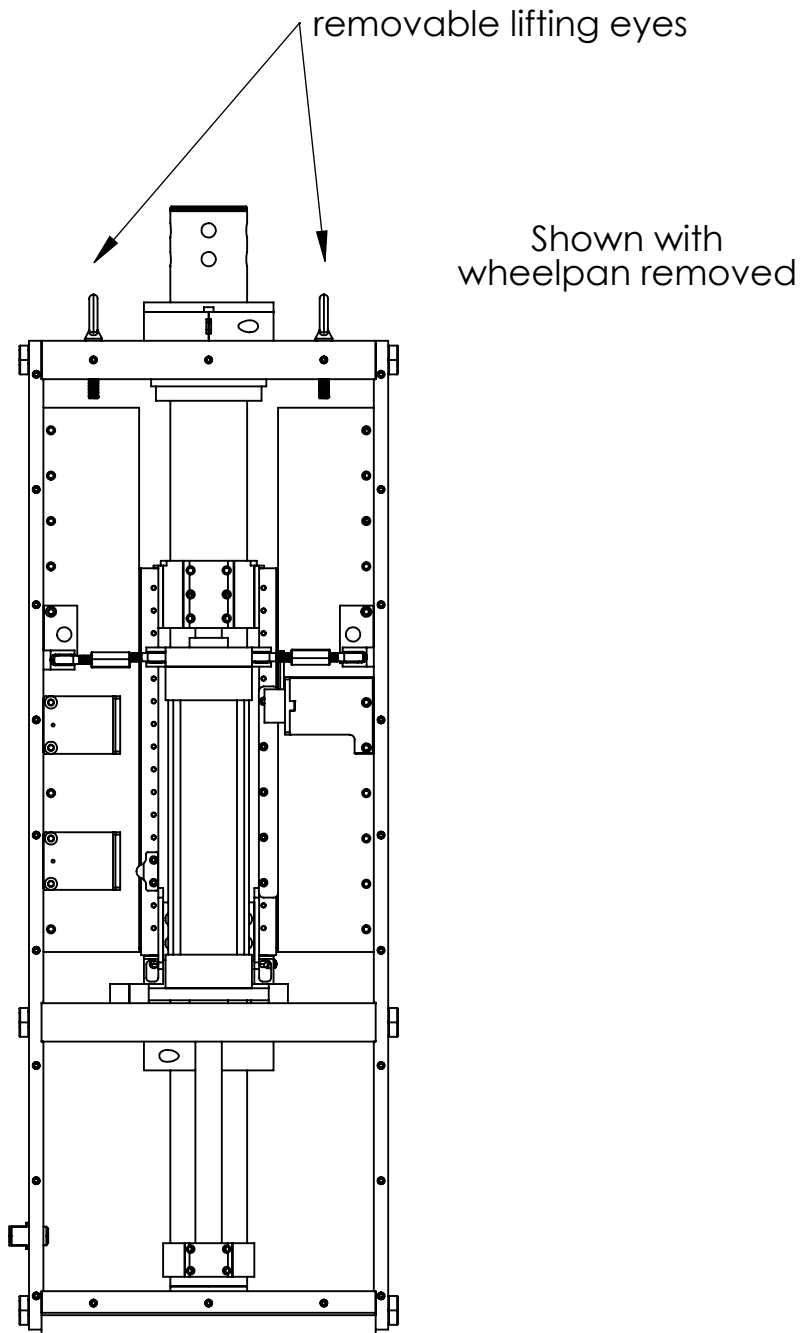
ROEHRIG ENGINEERING, INC.

DWG. NO.	--	REV.	0
----------	----	------	---

SHEET 2 OF 4



THE INFORMATION CONTAINED IN THIS DRAWING IS THE SOLE PROPERTY OF ROEHRIG ENGINEERING, INC. ANY REPRODUCTION IN PART OR WHOLE WITHOUT THE WRITTEN PERMISSION OF ROEHRIG ENGINEERING, INC. IS PROHIBITED.



UNLESS OTHERWISE SPECIFIED
DIMENSIONS ARE IN INCHES
TOLERANCES ARE:
DECIMALS ANGLES
.X +/- .050 +/-1/4 DEG
.XX +/- .010
.XXX +/- .003

MATERIAL --
FINISH --
DO NOT SCALE DRAWING

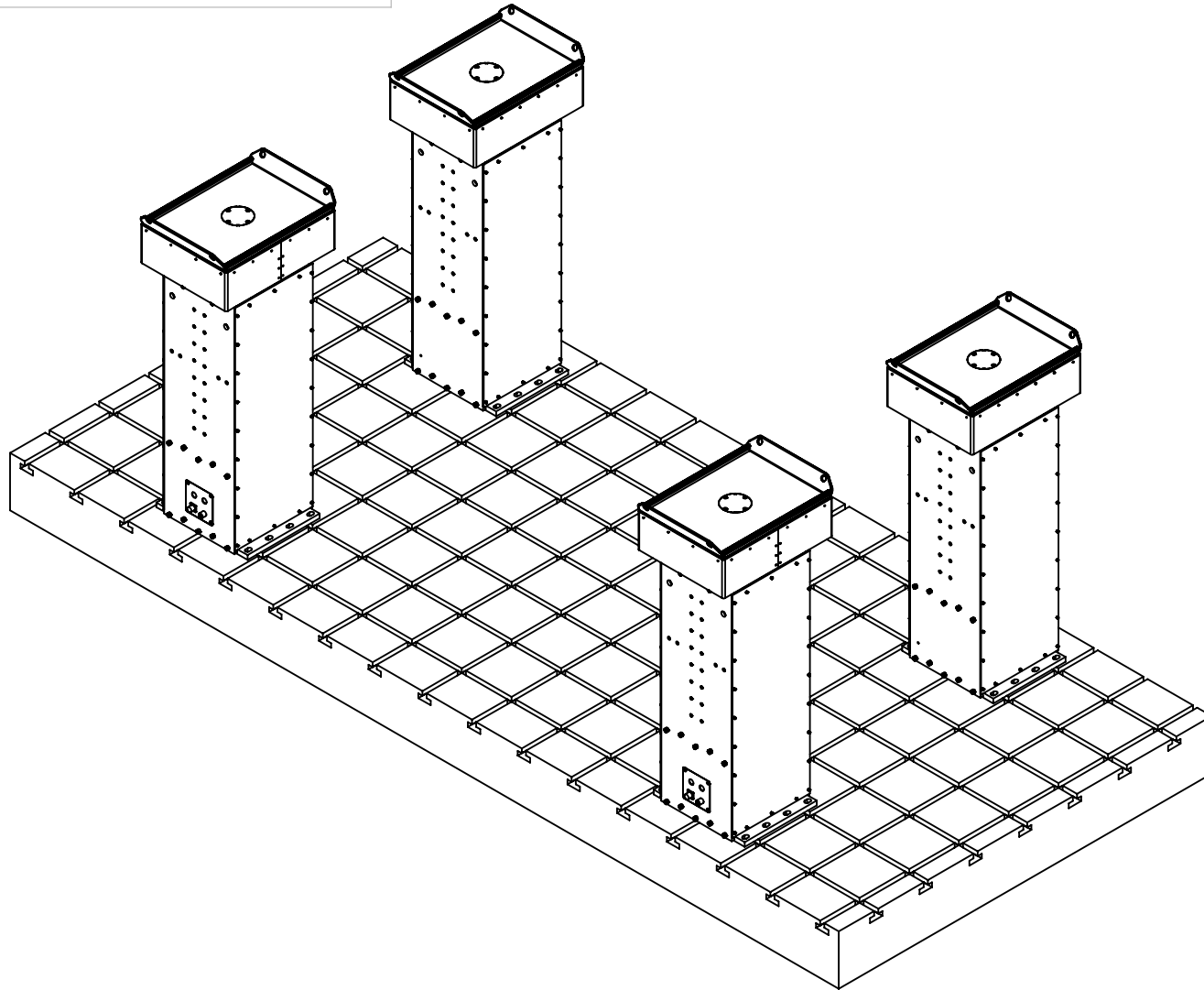
CAD GENERATED DRAWING,
DO NOT MANUALLY UPDATE

APPROVALS		DATE
DRAWN	MAF	10/1/2011
CHECKED		
RESP ENG		
MFG ENG		
QUAL ENG		

ROEHRIG ENGINEERING, INC.

	--	
DWG. NO.	--	REV. 0
SHEET 3 OF 4		

THE INFORMATION CONTAINED IN THIS DRAWING IS THE SOLE PROPERTY OF ROEHRIG ENGINEERING, INC. ANY REPRODUCTION IN PART OR WHOLE WITHOUT THE WRITTEN PERMISSION OF ROEHRIG ENGINEERING, INC. IS PROHIBITED.



UNLESS OTHERWISE SPECIFIED
DIMENSIONS ARE IN INCHES
TOLERANCES ARE:
DECIMALS ANGLES
.X +/- .050 +/-1/4 DEG
.XX +/- .010
.XXX +/- .003

CAD GENERATED DRAWING,
DO NOT MANUALLY UPDATE

ROEHRIG ENGINEERING, INC.

APPROVALS	DATE
DRAWN MAF	10/1/2011
CHECKED	
RESP ENG	
MFG ENG	
QUAL ENG	

MATERIAL --
FINISH --
DO NOT SCALE DRAWING

--	REV. 0
DWG. NO. --	SHEET 4 OF 4