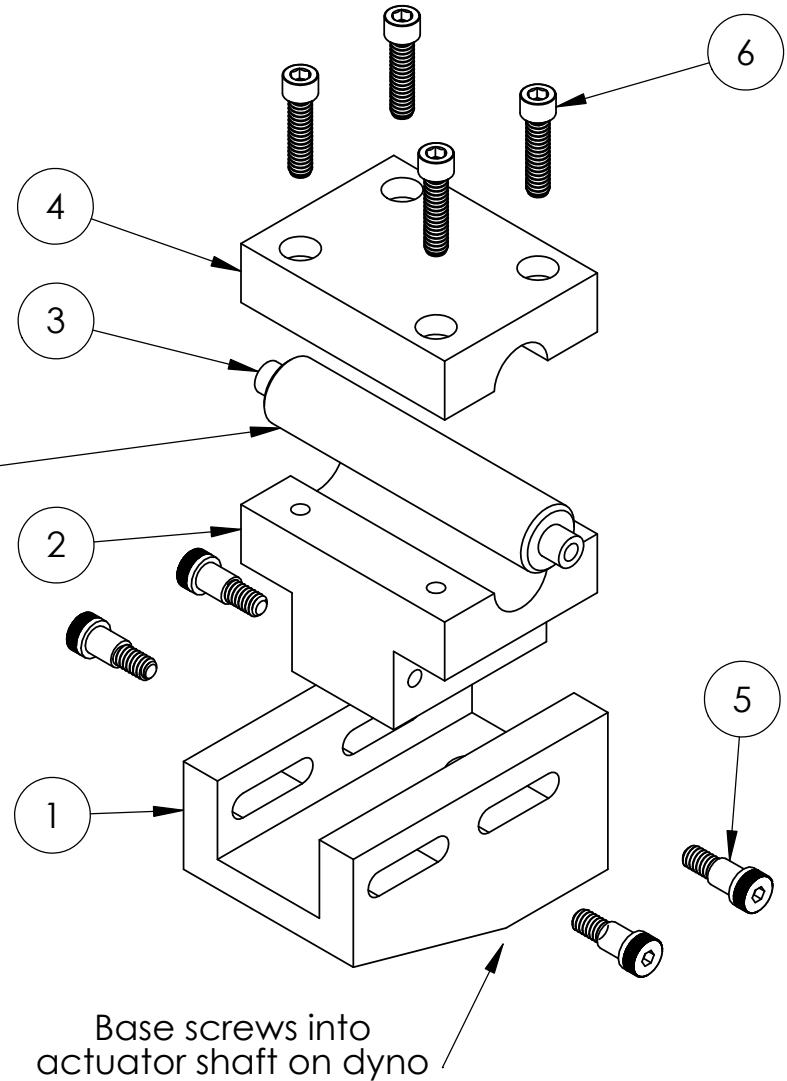
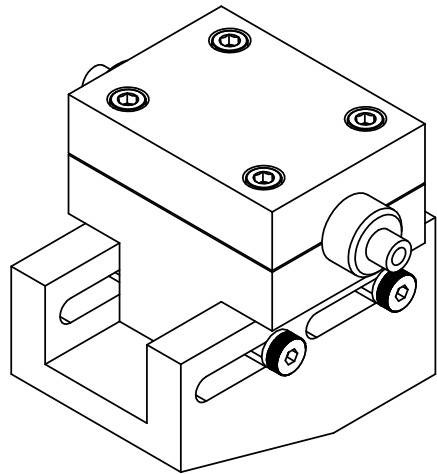


THE INFORMATION CONTAINED IN THIS DRAWING IS THE SOLE PROPERTY OF ROEHRIG ENGINEERING, INC. ANY REPRODUCTION IN PART OR WHOLE WITHOUT THE WRITTEN PERMISSION OF ROEHRIG ENGINEERING, INC. IS PROHIBITED.

Part	Description	Qty.	Roehrig Part number
1	Bicycle fork adapter - base	1	R-5ABCDE-0053-000
2	Bicycle fork adapter - adjuster	1	R-5ABCDE-0054-000
3	Bicycle fork adapter - axle rod	1	R-5ABCDE-0056-000
4	Bicycle fork adapter - top clamp	1	R-5ABCDE-0055-000
5	1/4-20 x 1.0" SHCS	4	--
6	3/16 x 0.5" Shoulder bolt	4	--

Bicycle fork mounts to axle rod via standard bicycle skewer



Base screws into actuator shaft on dyno



NEXT ASSY	USED ON
APPLICATION	

UNLESS OTHERWISE SPECIFIED DIMENSIONS ARE IN INCHES		CAD GENERATED DRAWING, DO NOT MANUALLY UPDATE	
TOLERANCES ARE:		APPROVALS	DATE
DECIMALS	ANGLES	DRAWN MAF	5/14/2008
.X +/- .050	+/-1/4 DEG	CHECKED	
.XX +/- .010		RESP ENG	
.XXX +/- .003		MFG ENG	
MATERIAL	--	QUAL ENG	
FINISH	--		
DO NOT SCALE DRAWING			

ROEHRIG ENGINEERING, INC.			
Bicycle fork clamp assembly			
SIZE A	DWG. NO.	--	REV. 0
SCALE	CAD FILE:		SHEET 1 OF 1