

THE INFORMATION CONTAINED IN THIS DRAWING IS THE SOLE PROPERTY OF ROEHRIG ENGINEERING, INC. ANY REPRODUCTION IN PART OR WHOLE WITHOUT THE WRITTEN PERMISSION OF ROEHRIG ENGINEERING, INC. IS PROHIBITED.

D

C

B

A

8

7

6

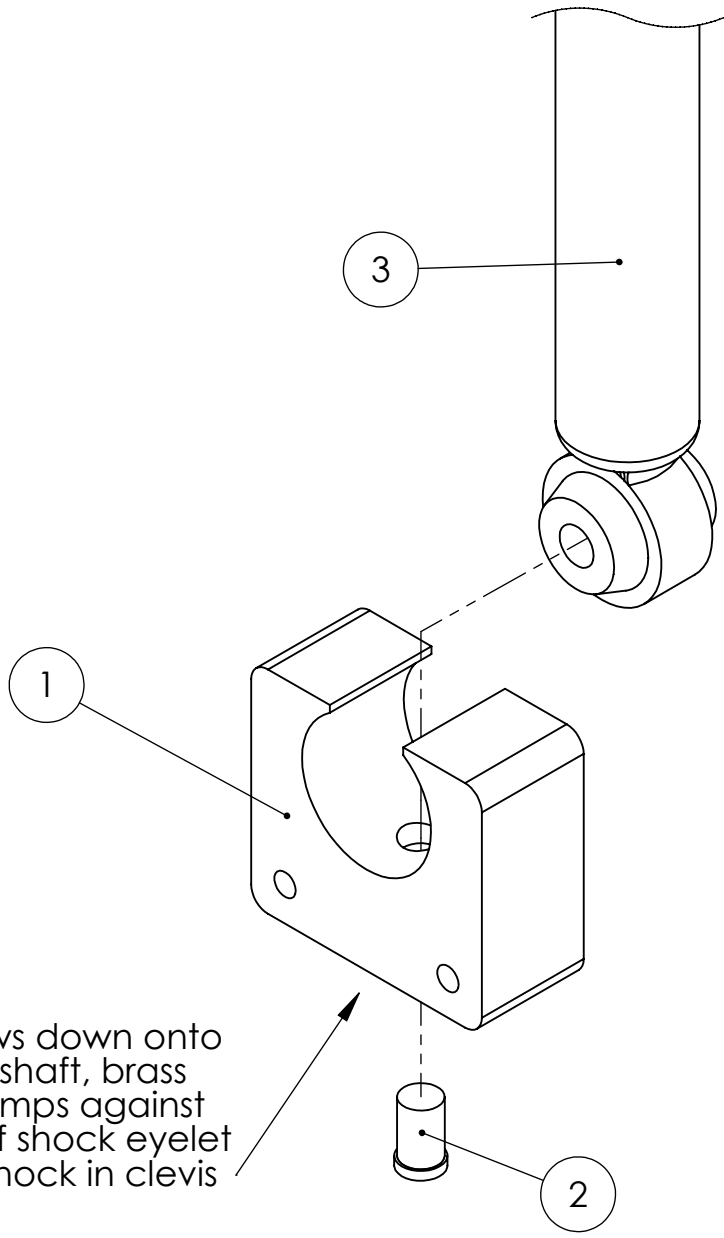
5

4

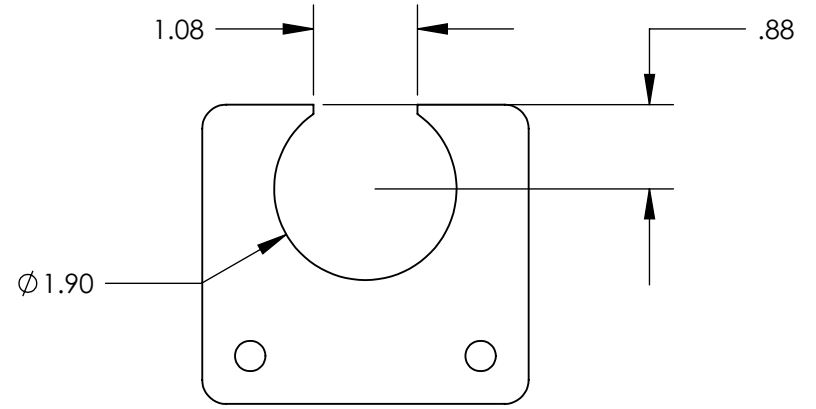
3

2

1



Clevis screws down onto actuator shaft, brass button clamps against underside of shock eyelet to secure shock in clevis



Note: Custom sized diameters for various shock eyelets available

Part	Description	Qty.	Roehrig Part number
1	C-Clamp Clevis	1	R-5ABCDE-0006-002
2	Brass button	1	R-1ABCDE-0002-000
3	Welded eyelet shock absorber	1	--

<p>UNLESS OTHERWISE SPECIFIED DIMENSIONS ARE IN INCHES</p> <p>TOLERANCES ARE:</p> <p>DECIMALS .X +/- .050</p> <p>ANGLES +/- 1/4 DEG</p> <p>.XX +/- .010</p> <p>.XXX +/- .003</p>	CAD GENERATED DRAWING, DO NOT MANUALLY UPDATE		ROEHRIG ENGINEERING, INC.	
	APPROVALS		DATE	
	DRAWN	MAF	1/14/2009	
	CHECKED			
MATERIAL	--	RESP ENG		
FINISH	--	MFG ENG		
DO NOT SCALE DRAWING	QUAL ENG			
			DWG. NO.	--
			REV.	0
			SHEET 1 OF 1	

C-Clamp Clevis Assembly

8

7

6

5

4

3

2

1