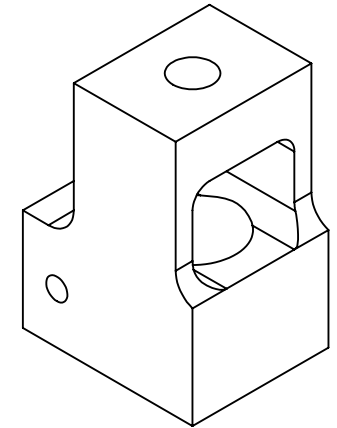
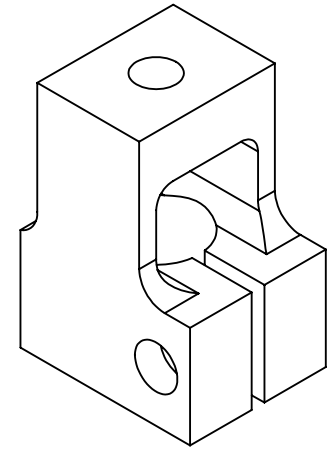
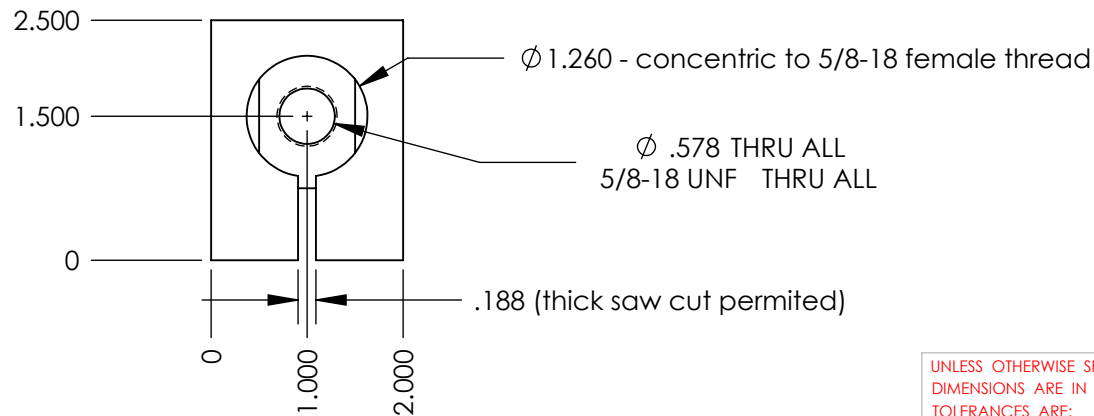
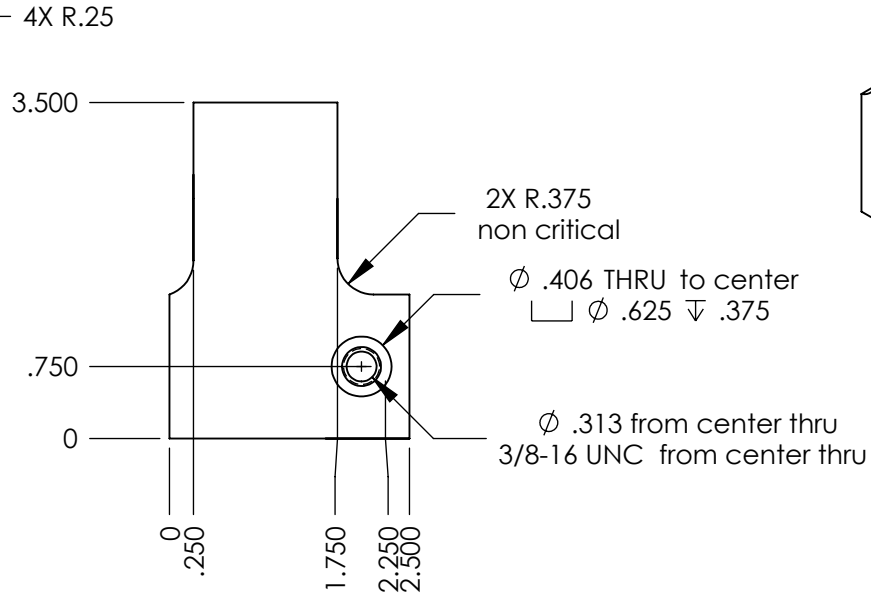
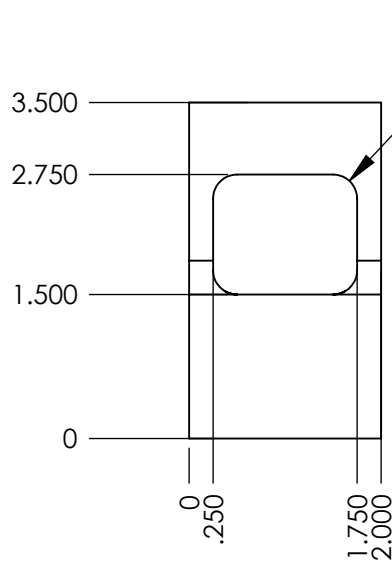


THE INFORMATION CONTAINED IN THIS DRAWING IS THE SOLE PROPERTY OF ROEHRIG ENGINEERING, INC. ANY REPRODUCTION IN PART OR WHOLE WITHOUT THE WRITTEN PERMISSION OF ROEHRIG ENGINEERING, INC. IS PROHIBITED.



Note:  
1. Check concentricity of 5/8-18 thread to 1.260  $\phi$  hole after machining, this is critical to function of part

UNLESS OTHERWISE SPECIFIED  
DIMENSIONS ARE IN INCHES  
TOLERANCES ARE:  
DECIMALS .X +/- .050  
.XX +/- .010  
.XXX +/- .003

ANGLES  
+/- 1/4 DEG

CAD GENERATED DRAWING,  
DO NOT MANUALLY UPDATE

APPROVALS	DATE
DRAWN MAF	11/12/2009

CHECKED

MATERIAL  
6061-T6 Al

RESP ENG

FINISH  
--

MFG ENG

DO NOT SCALE DRAWING

QUAL ENG

ROEHRIG ENGINEERING, INC.

Motorcross bottom fork  
cartridge clamp

DWG. NO. R-5ABCDE-0092-000

REV.  
0

SHEET 1 OF 1

