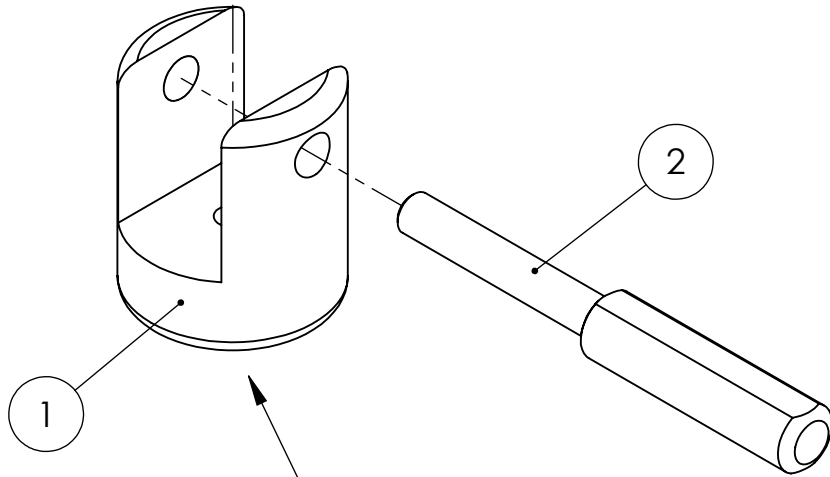
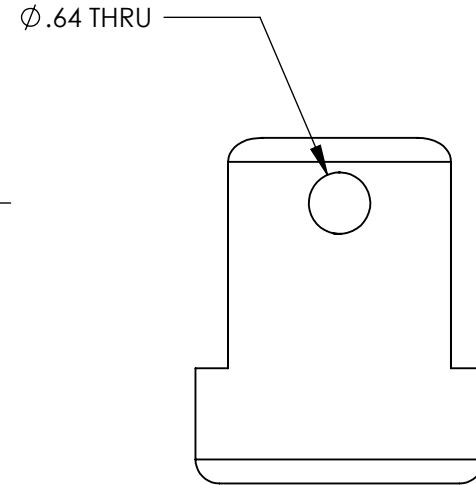
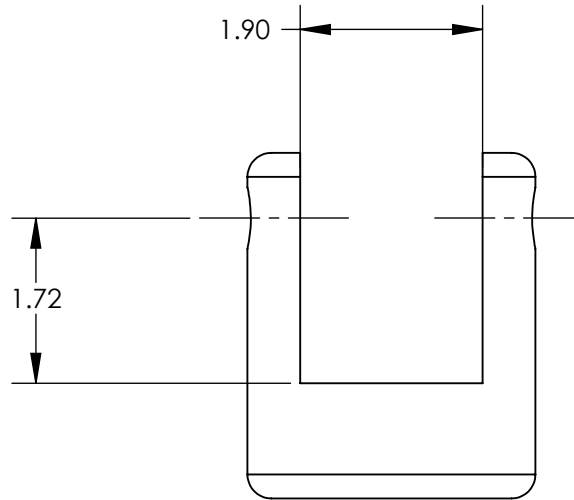
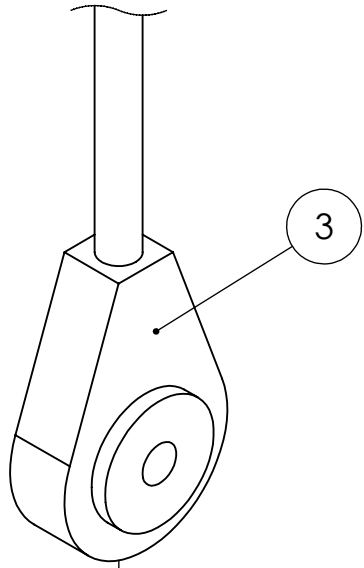


THE INFORMATION CONTAINED IN THIS DRAWING IS THE SOLE PROPERTY OF ROEHRIG ENGINEERING, INC. ANY REPRODUCTION IN PART OR WHOLE WITHOUT THE WRITTEN PERMISSION OF ROEHRIG ENGINEERING, INC. IS PROHIBITED.



Clevis screws onto acuator shaft on dyno

Part	Description	Qty.	Roehrig Part number
1	Rotor Clevis	1	R-5ABCDE-0005-001
2	Rotor Clevis Handle	1	R-5ABCDE-0025-000
3	Sikorsky rotor shock	1	--

UNLESS OTHERWISE SPECIFIED  
DIMENSIONS ARE IN INCHES  
TOLERANCES ARE:  
DECIMALS .X +/- .050  
.XX +/- .010  
.XXX +/- .003  
ANGLES +/- 1/4 DEG

CAD GENERATED DRAWING,  
DO NOT MANUALLY UPDATE

ROEHRIG ENGINEERING, INC.

APPROVALS	DATE
DRAWN MAF	1/14/2009
CHECKED	
RESP ENG	
MFG ENG	
QUAL ENG	

Sikorsky rotor shock  
clevis assembly

MATERIAL --

FINISH --

DO NOT SCALE DRAWING

DWG. NO. -- REV. 0

SHEET 1 OF 1