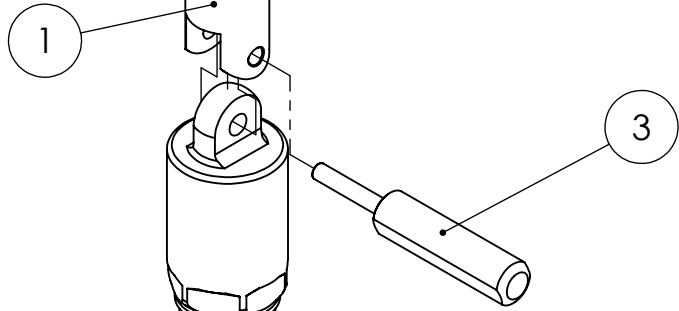


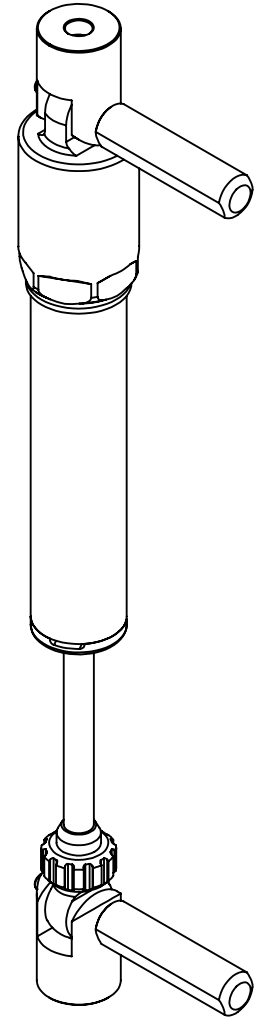
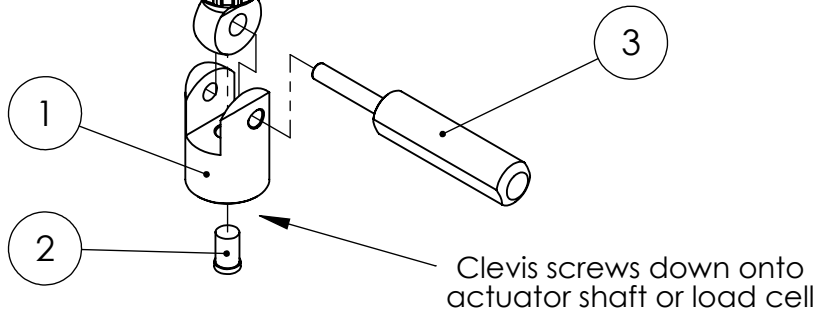
THE INFORMATION CONTAINED IN THIS DRAWING IS THE SOLE PROPERTY OF ROEHRIG ENGINEERING, INC. ANY REPRODUCTION IN PART OR WHOLE WITHOUT THE WRITTEN PERMISSION OF ROEHRIG ENGINEERING, INC. IS PROHIBITED.

2 Clevis screws down onto actuator shaft or load cell



Part	Description	Qty.	Roehrig Part number
1	Brass button	2	R-1ABCDE-0002-000
2	Shock Clevis	2	Various Sizes
3	Clevis handles	2	Various Sizes

Expanded View



UNLESS OTHERWISE SPECIFIED
DIMENSIONS ARE IN INCHES
TOLERANCES ARE:
DECIMALS .X +/- .050
.XX +/- .010
.XXX +/- .003
ANGLES +/- 1/4 DEG

CAD GENERATED DRAWING,
DO NOT MANUALLY UPDATE

APPROVALS	DATE
DRAWN MAF	1/14/2009

CHECKED

RESP ENG

MFG ENG

QUAL ENG

ROEHRIG ENGINEERING, INC.

Standard Shock Clevis
Assembly

DWG. NO.	--	REV.	0
----------	----	------	---

SHEET 1 OF 1