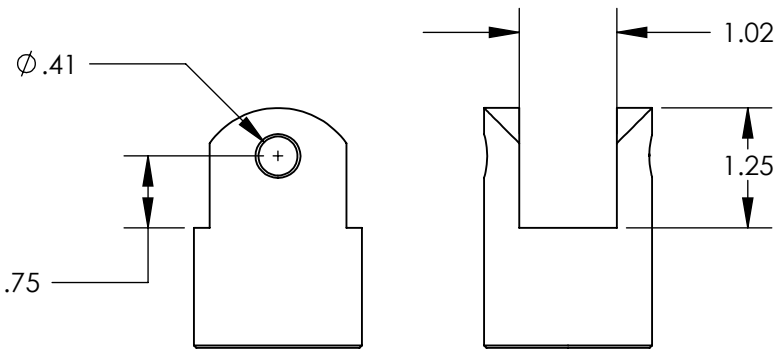
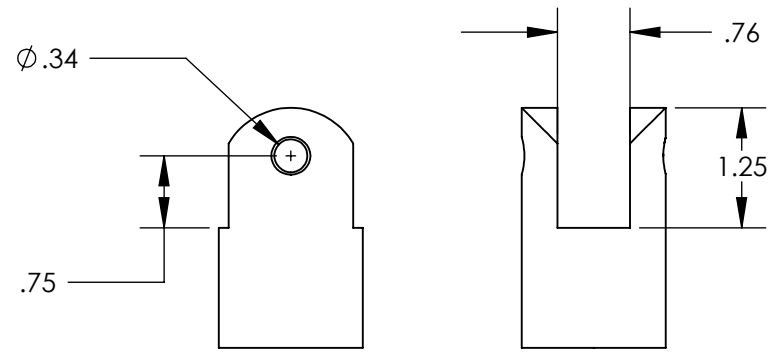


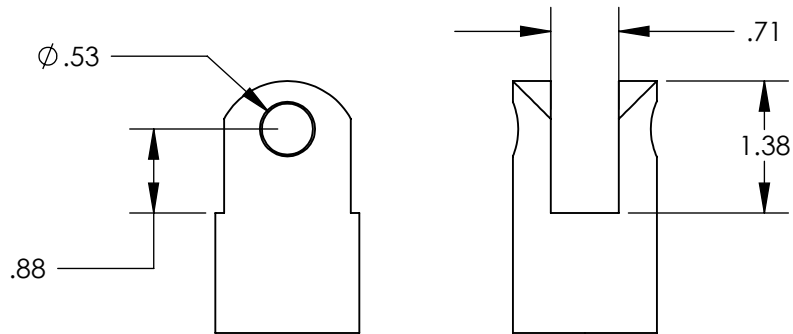
THE INFORMATION CONTAINED IN THIS DRAWING IS THE SOLE PROPERTY OF ROEHRIG ENGINEERING, INC. ANY REPRODUCTION IN PART OR WHOLE WITHOUT THE WRITTEN PERMISSION OF ROEHRIG ENGINEERING, INC. IS PROHIBITED.



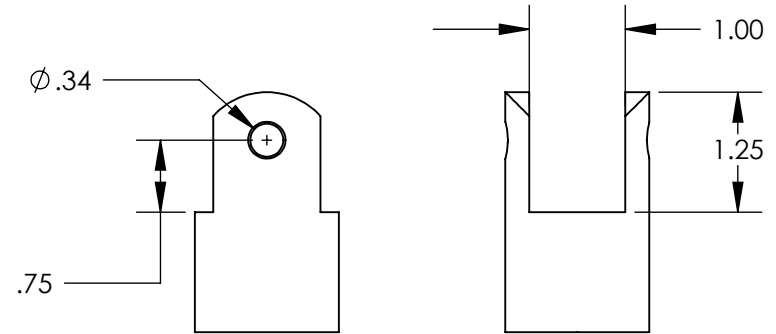
3/8" Clevis - R-1ABCDE-0003-000



5/16" Clevis - R-1ABDE-0003-000



1/2" Clevis - R-1ABCDE-0001-002



5/16" Wide Clevis - R-1ABDE-0005-000

Note: Clevis handles are included with each clevis size



UNLESS OTHERWISE SPECIFIED DIMENSIONS ARE IN INCHES TOLERANCES ARE: DECIMALS .X +/- .050 .XX +/- .010 .XXX +/- .003	CAD GENERATED DRAWING, DO NOT MANUALLY UPDATE		ROEHRIG ENGINEERING, INC.		
	APPROVALS	DATE	Standard Shock Clevis Dimensions		
DRAWN	MAF 1/14/2009	DWG. NO.			REV. 0
CHECKED		SHEET 1 OF 1			
MATERIAL	--				
FINISH	--				
DO NOT SCALE DRAWING	QUAL ENG				