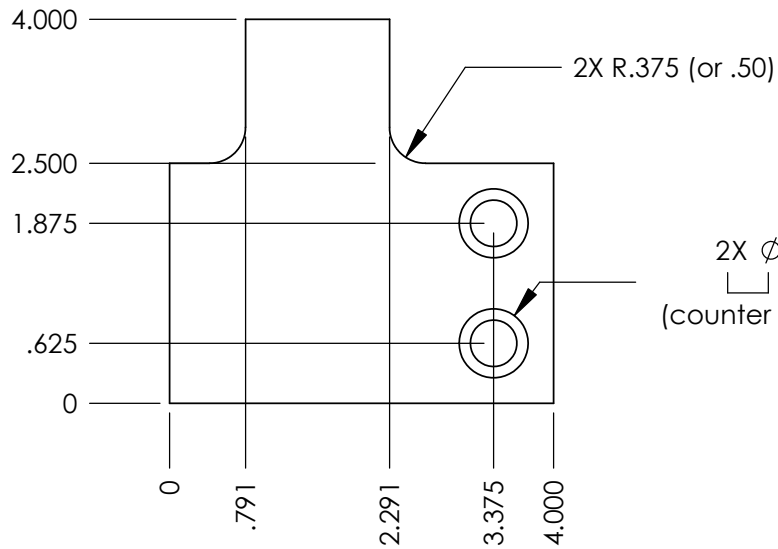
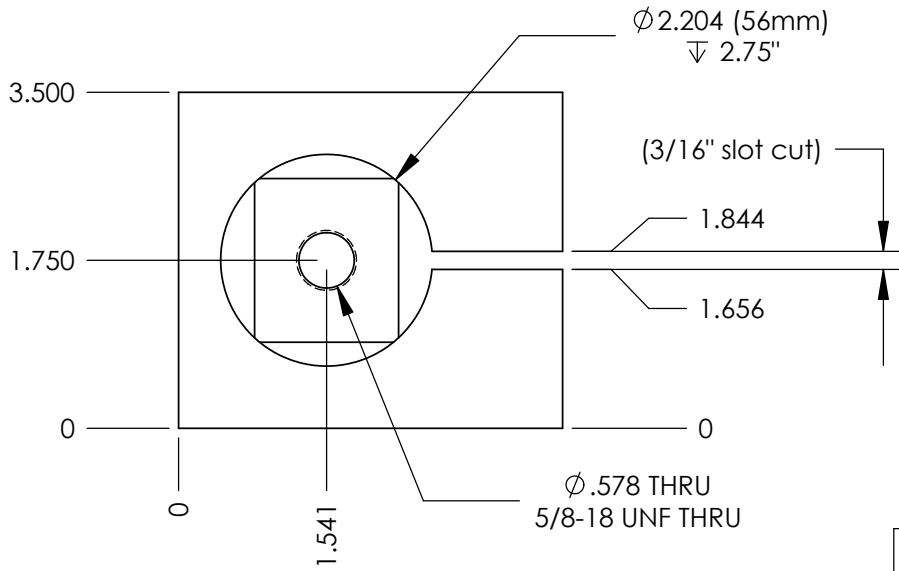
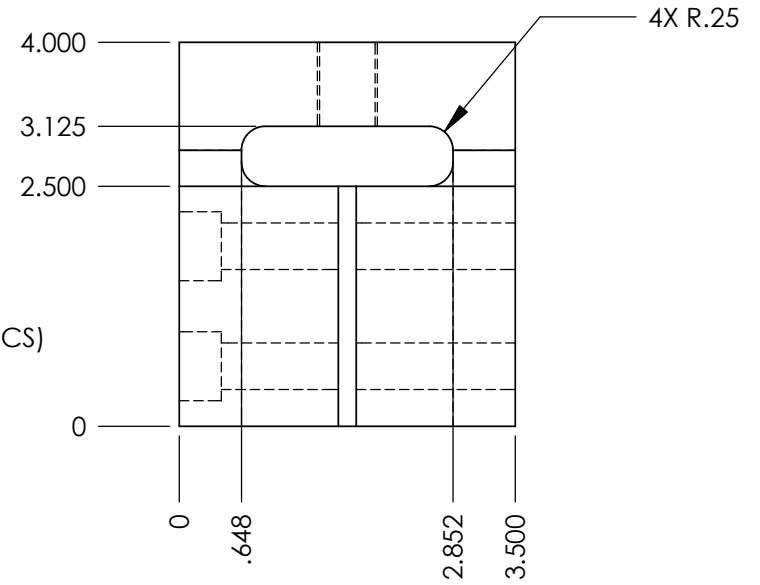


THE INFORMATION CONTAINED IN THIS DRAWING IS THE SOLE PROPERTY OF ROEHRIG ENGINEERING, INC. ANY REPRODUCTION IN PART OR WHOLE WITHOUT THE WRITTEN PERMISSION OF ROEHRIG ENGINEERING, INC. IS PROHIBITED.



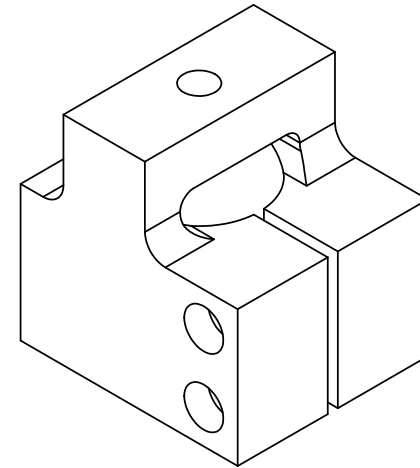
2X ϕ .484 THRU ALL
 \square ϕ .719 ∇ .438
 (counter bore for 7/16" SHCS)



ϕ 2.204 (56mm)
 ∇ 2.75"

(3/16" slot cut)

ϕ .578 THRU
 5/8-18 UNF THRU



UNLESS OTHERWISE SPECIFIED
 DIMENSIONS ARE IN INCHES
 TOLERANCES ARE:
 DECIMALS .X +/- .050
 .XX +/- .010
 .XXX +/- .003
 ANGLES +/- 1/4 DEG

CAD GENERATED DRAWING,
 DO NOT MANUALLY UPDATE

APPROVALS		DATE
DRAWN	MAF	4/28/2006

CHECKED	
---------	--

RESP ENG	
----------	--

MFG ENG	
---------	--

QUAL ENG	
----------	--

ROEHRIG ENGINEERING, INC.

motocross fork upper
 clamp - 56mm

SIZE A	DWG. NO.	REV.
	R-5ABCDE-0061-000	0

SCALE	CAD FILE:	SHEET 1 OF 1
-------	-----------	--------------



NEXT ASSY	USED ON
APPLICATION	

DO NOT SCALE DRAWING

