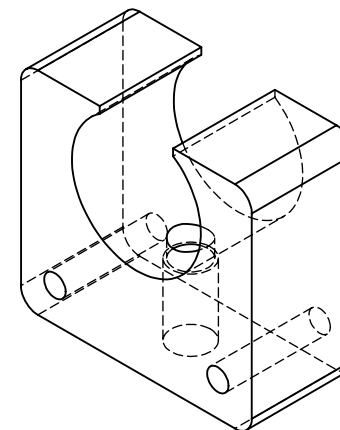
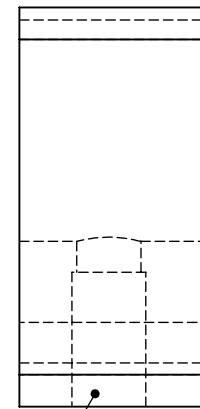


DRILL/TAP 5/8 x 18 x 1 DEEP  
FULL TAP TO BOTTOM  
FROM BOTTOM



**PROPRIETARY AND CONFIDENTIAL**  
THE INFORMATION CONTAINED IN THIS DRAWING IS THE SOLE PROPERTY OF <INSERT COMPANY NAME HERE>. ANY REPRODUCTION IN PART OR AS A WHOLE WITHOUT THE WRITTEN PERMISSION OF <INSERT COMPANY NAME HERE> IS PROHIBITED.

		DIMENSIONS ARE IN INCHES TOLERANCES: FRACTIONAL ± ANGULAR: MACH ± BEND ± TWO PLACE DECIMAL <.01> THREE PLACE DECIMAL <.005>		NAME MAF	DATE 8-8-08	ROEHRIG ENGINEERING INC.	
		MATERIAL COLD ROLL MILD STEEL		CHECKED		CLAMP CLEVIS	
		FINISH Electroless Ni plated		ENG APPR.			
		NEXT ASSY USED ON		MFG APPR.			
		APPLICATION		Q.A.			
		DO NOT SCALE DRAWING		COMMENTS:		SIZE A	DWG. NO. R-ABCDE-0006-002
						SCALE:1:1.5	WEIGHT:
						REV. 2	
						SHEET 1 OF 1	