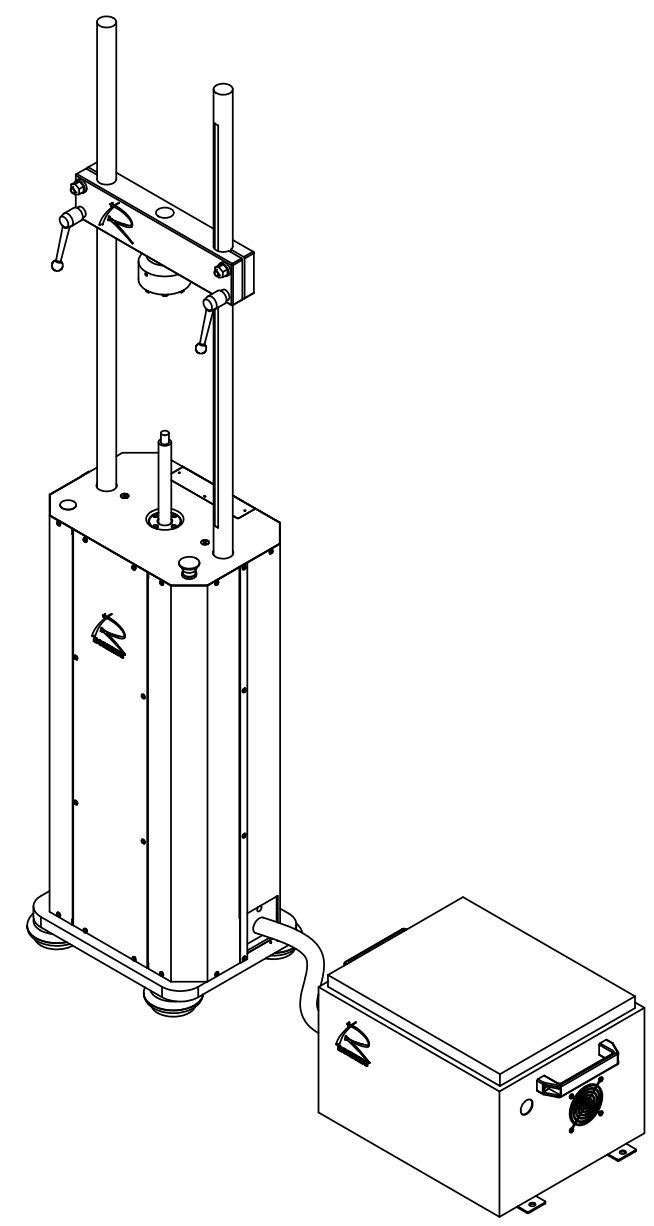
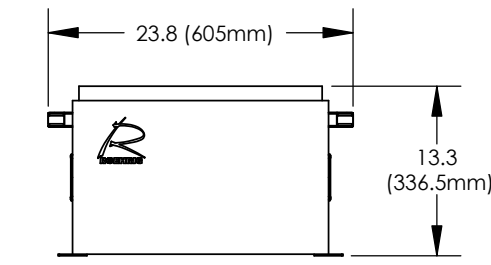
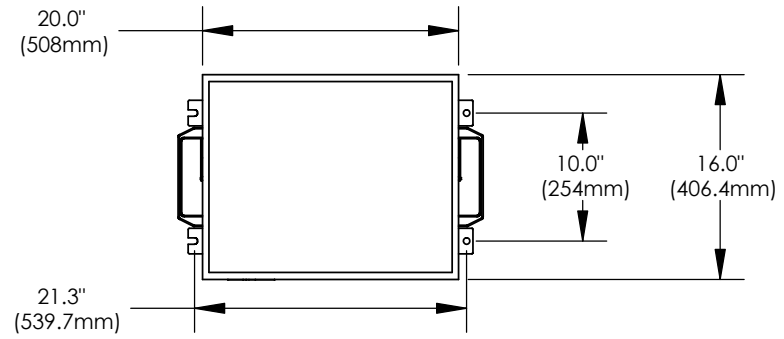
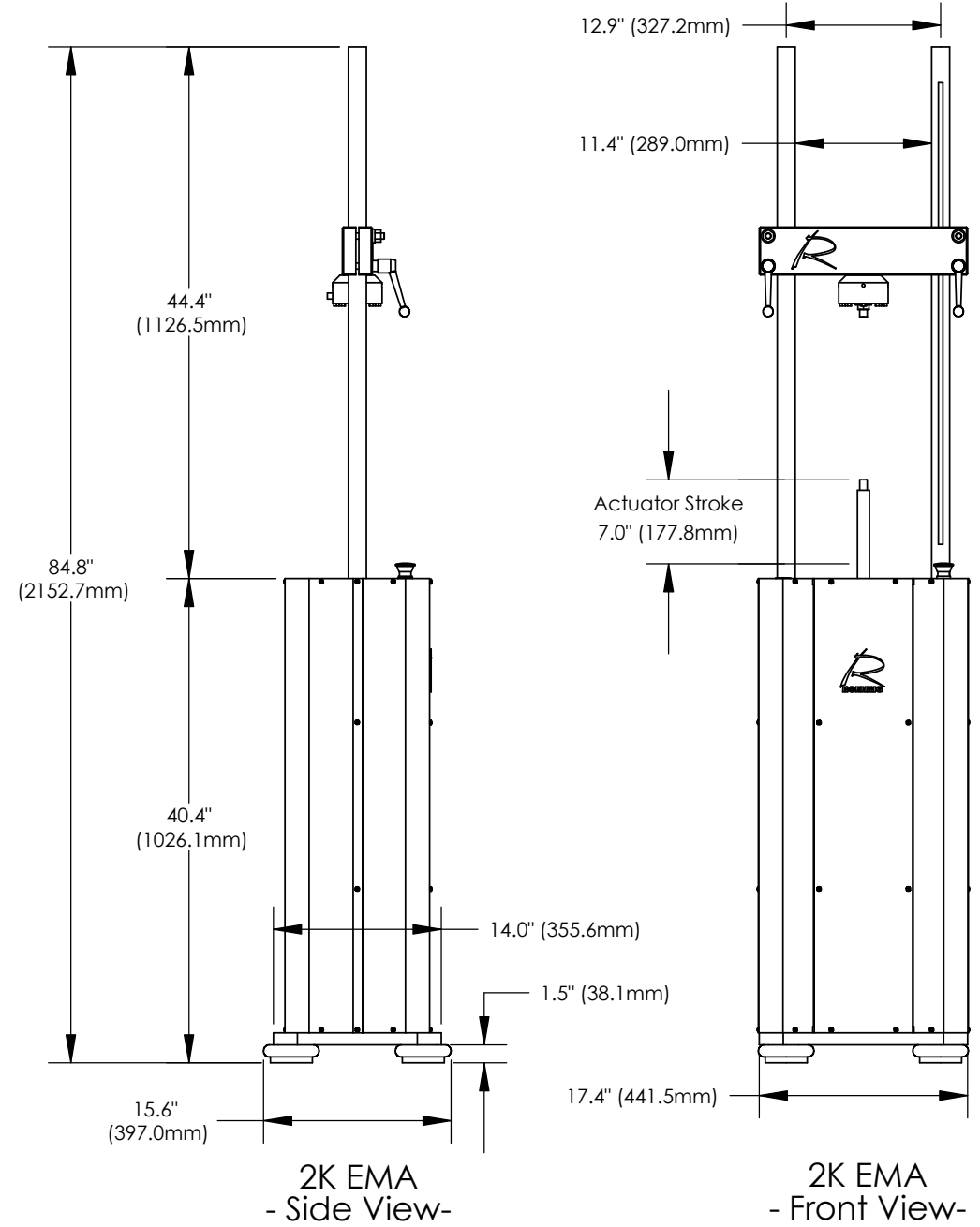


8 7 6 5 4 3 2 1

D  
C  
B  
A



- Notes:
- Standard height shafting shown for 2K EMA, custom lengths available
  - Six foot power cable connects 2K EMA and Power Enclosure

Assembly Weights		Lbs	Kgs
2K EMA		356	161.5
Power Enclosure		84	38.1



NEXT ASSY	USED ON
APPLICATION	DO NOT SCALE DRAWING

ITEM NO.	PART OR IDENTIFYING NO.	NOMENCLATURE OR DESCRIPTION	MATERIAL SPECIFICATION	QTY REQD
PARTS LIST				
UNLESS OTHERWISE SPECIFIED DIMENSIONS ARE IN INCHES		CAD GENERATED DRAWING, DO NOT MANUALLY UPDATE		ROEHRIG ENGINEERING, INC.
TOLERANCES ARE:		APPROVALS	DATE	
DECIMALS	ANGLES	DRAWN	MAF	4-10-07
.X +/- .050	+/- 1/4 DEG	CHECKED		
.XX +/- .010		RESP ENG		
.XXX +/- .003		MFG ENG		
MATERIAL	--	QUAL ENG		
FINISH	--			
SIZE	A	DWG. NO.	--	REV. X
SCALE		CAD FILE:		SHEET OF

8 7 6 5 4 3 2 1