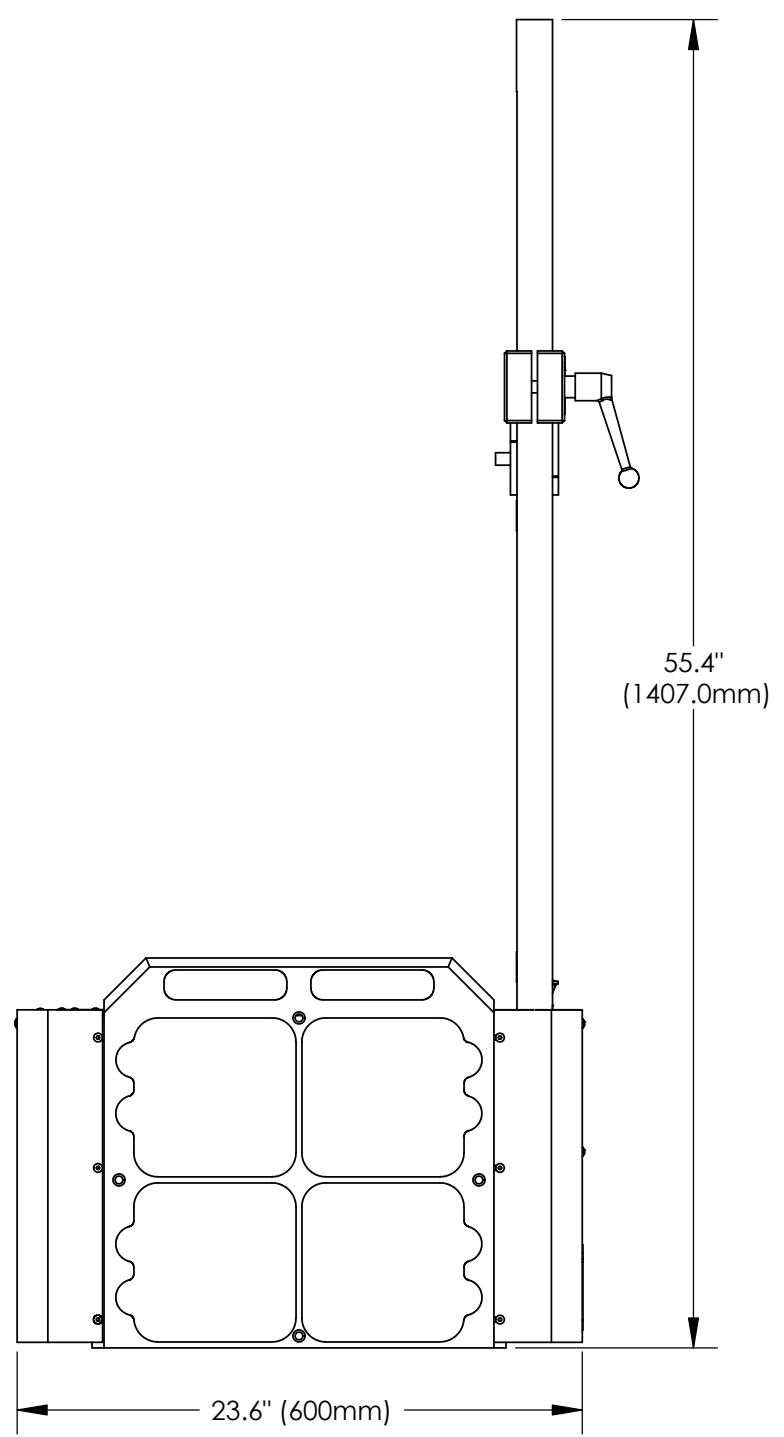
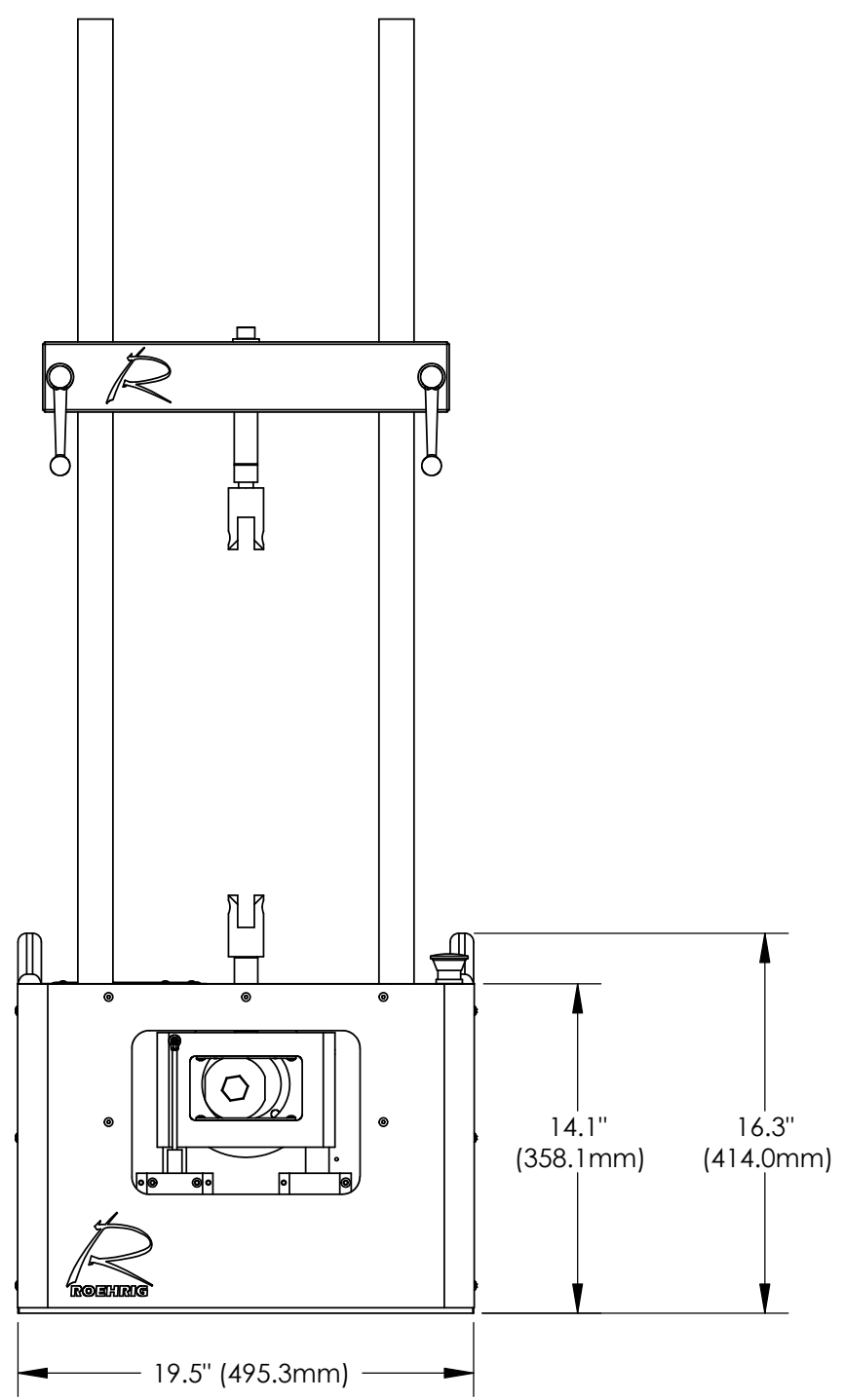


8 7 6 5 4 3 2 1

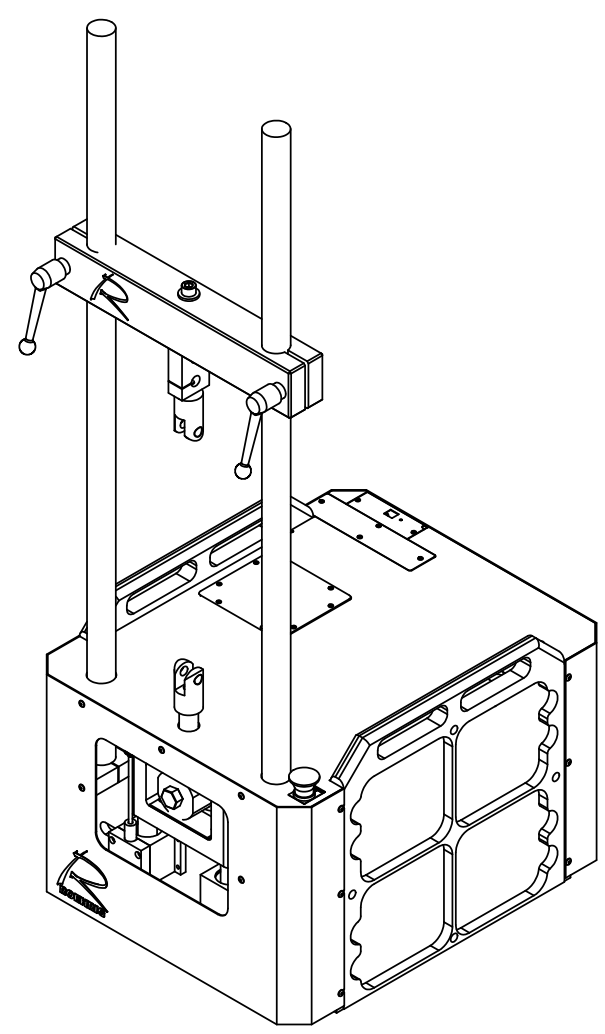
D
C
B
A



2VS Crank Dyno
- Side View -



2VS Crank Dyno
- Front View -



2VS Crank Dyno
- Isometric View -

Notes:
1. 2VS Crank Dyno shown with standard length columns, custom lengths available



ITEM NO.	PART OR IDENTIFYING NO.	NOMENCLATURE OR DESCRIPTION	MATERIAL SPECIFICATION	QTY REQD
PARTS LIST				
UNLESS OTHERWISE SPECIFIED DIMENSIONS ARE IN INCHES TOLERANCES ARE:		CAD GENERATED DRAWING, DO NOT MANUALLY UPDATE		
DECIMALS .X +/- .050		APPROVALS	DATE	
ANGLES .XX +/- .010		DRAWN MAF	5-1-07	
.XXX +/- .003		CHECKED		
MATERIAL --		RESP ENG		
FINISH --		MFG ENG		
APPLICATION		QUAL ENG		
DO NOT SCALE DRAWING				
ROEHRIG ENGINEERING, INC.			2VS Crank Dyno - 2hp Motor -	
SIZE A	DWG. NO.	REV. X		
SCALE	CAD FILE:	SHEET 1 OF 1		

8 7 6 5 4 3 2 1