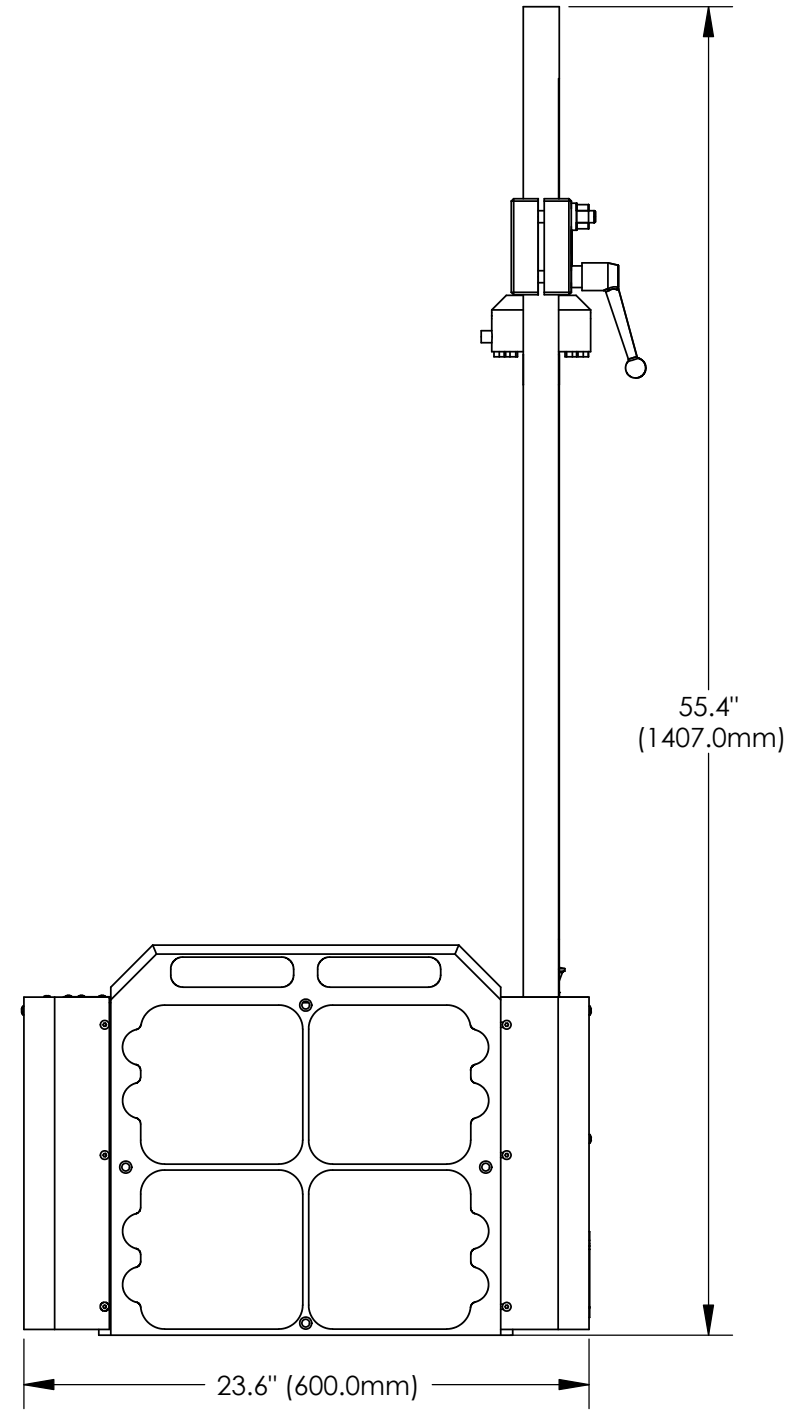


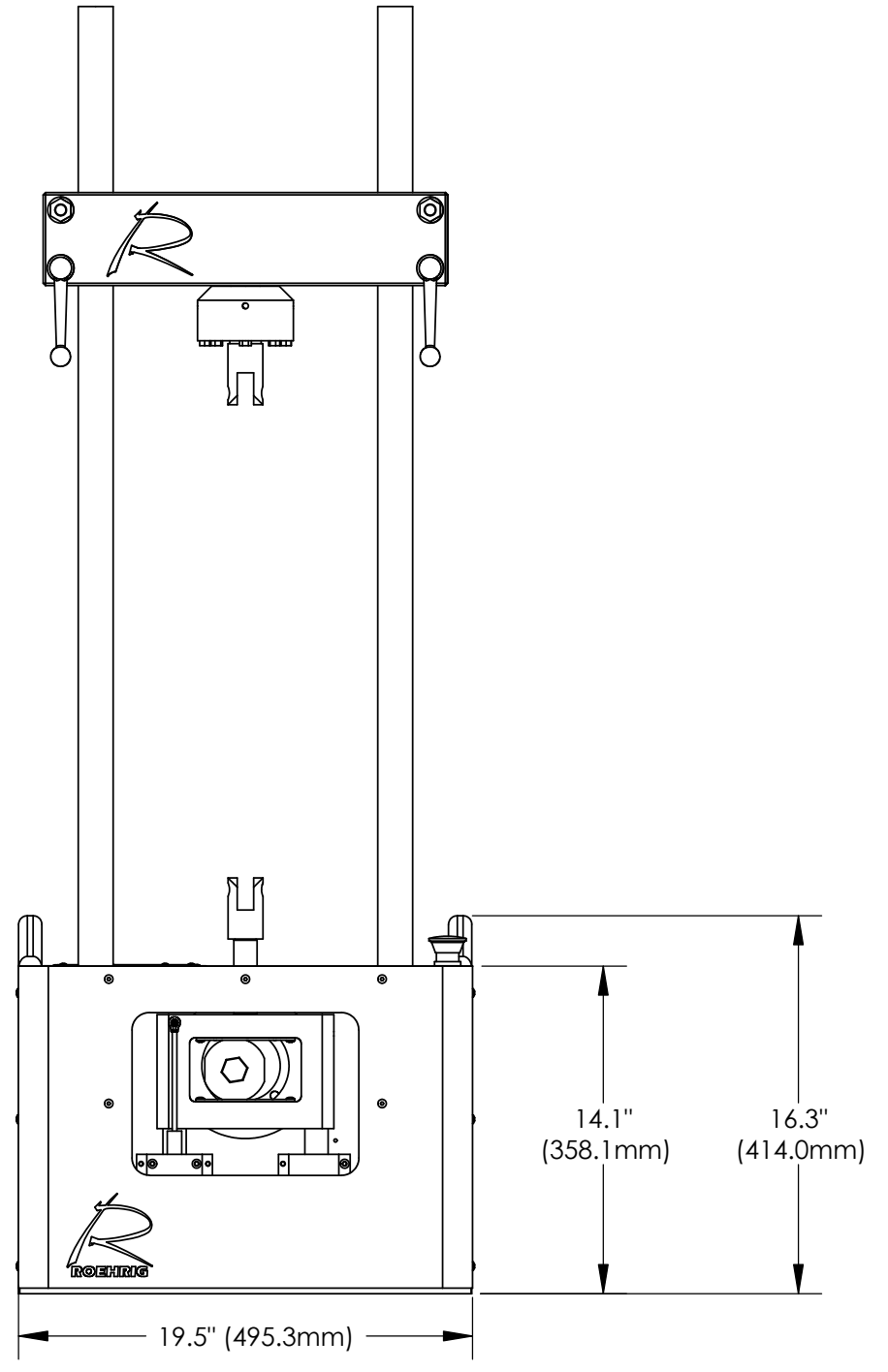
8 7 6 5 4 3 2 1

D
C
B
A

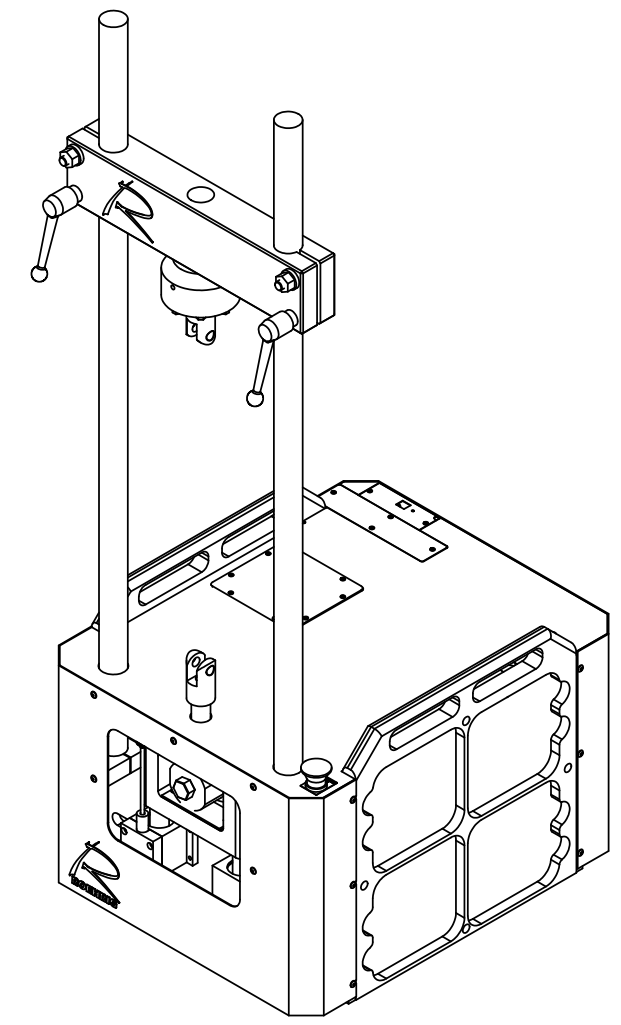
D
C
B
A



3VS and 5VS Crank Dyno
- Side View -



3VS and 5VS Crank Dyno
- Front View -



3VS and 5VS Crank Dyno
- Isometric View -

- Notes:
1. Crank dyno shown with standard length columns, custom lengths available
 2. 3VS and 5VS crank dynos have same outside dimensions



ITEM NO.	PART OR IDENTIFYING NO.	NOMENCLATURE OR DESCRIPTION	MATERIAL SPECIFICATION	QTY REQD
PARTS LIST				
UNLESS OTHERWISE SPECIFIED DIMENSIONS ARE IN INCHES TOLERANCES ARE:		CAD GENERATED DRAWING, DO NOT MANUALLY UPDATE		
DECIMALS .X +/- .050		APPROVALS	DATE	
ANGLES .XX +/- .010		DRAWN MAF	5-1-07	
.XXX +/- .003		CHECKED		
MATERIAL --		RESP ENG		
FINISH --		MFG ENG		
NEXT ASSY	USED ON	QUAL ENG	SIZE A	DWG. NO. --
APPLICATION		DO NOT SCALE DRAWING	SCALE	CAD FILE: --
			SHEET 1	OF 1

8 7 6 5 4 3 2 1