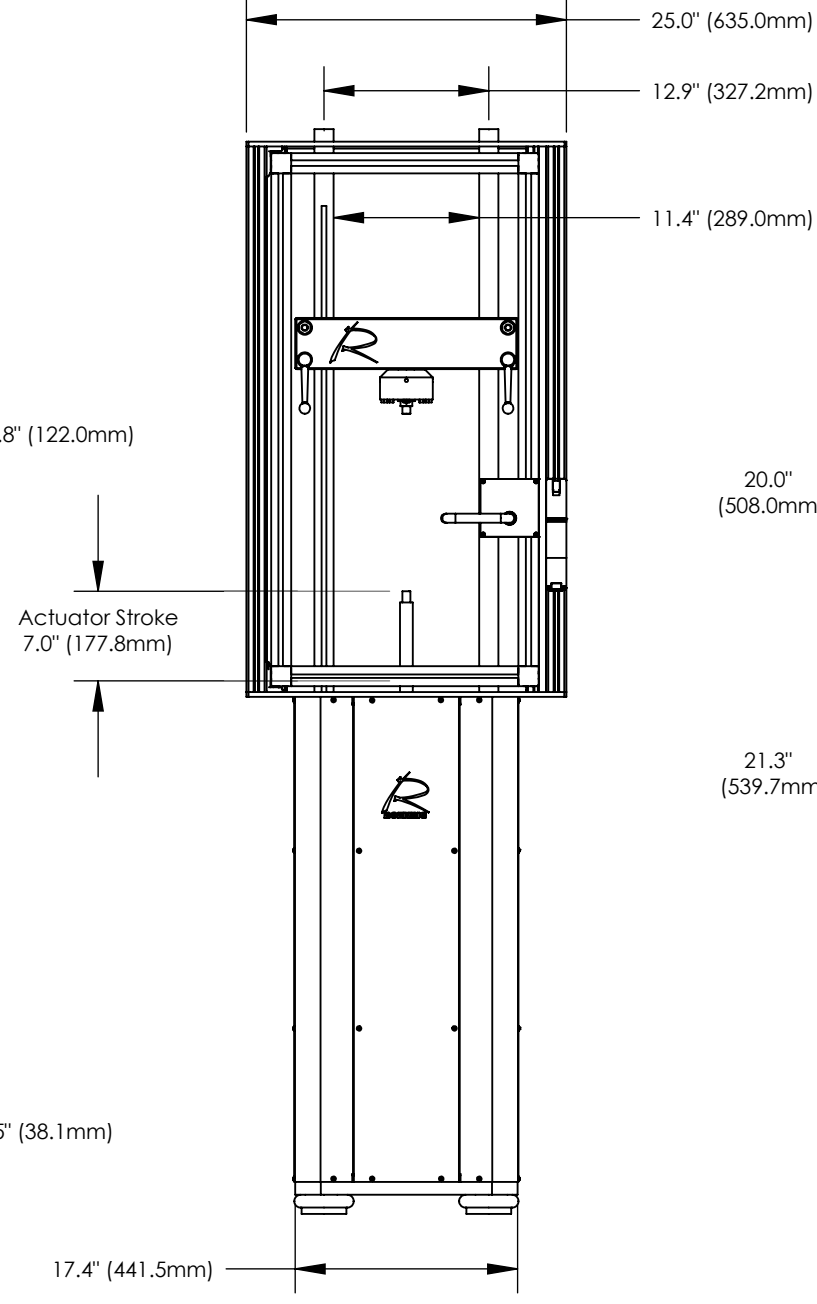
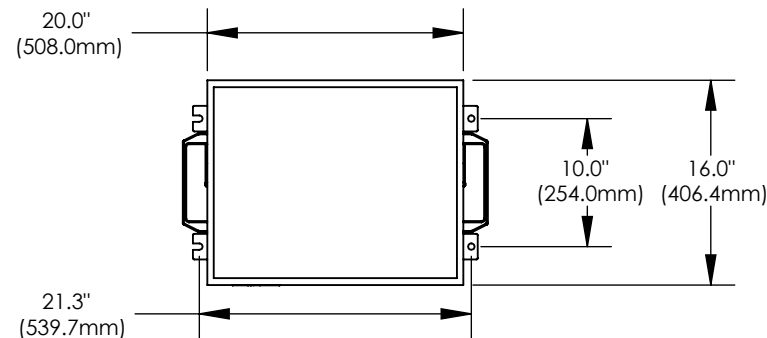


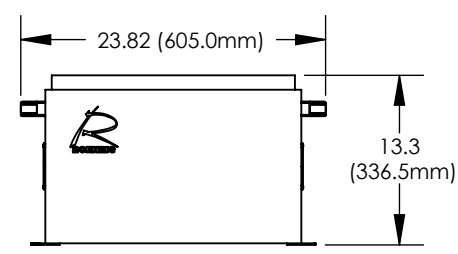
2K EMA with CE Safety Cage  
-Side View-



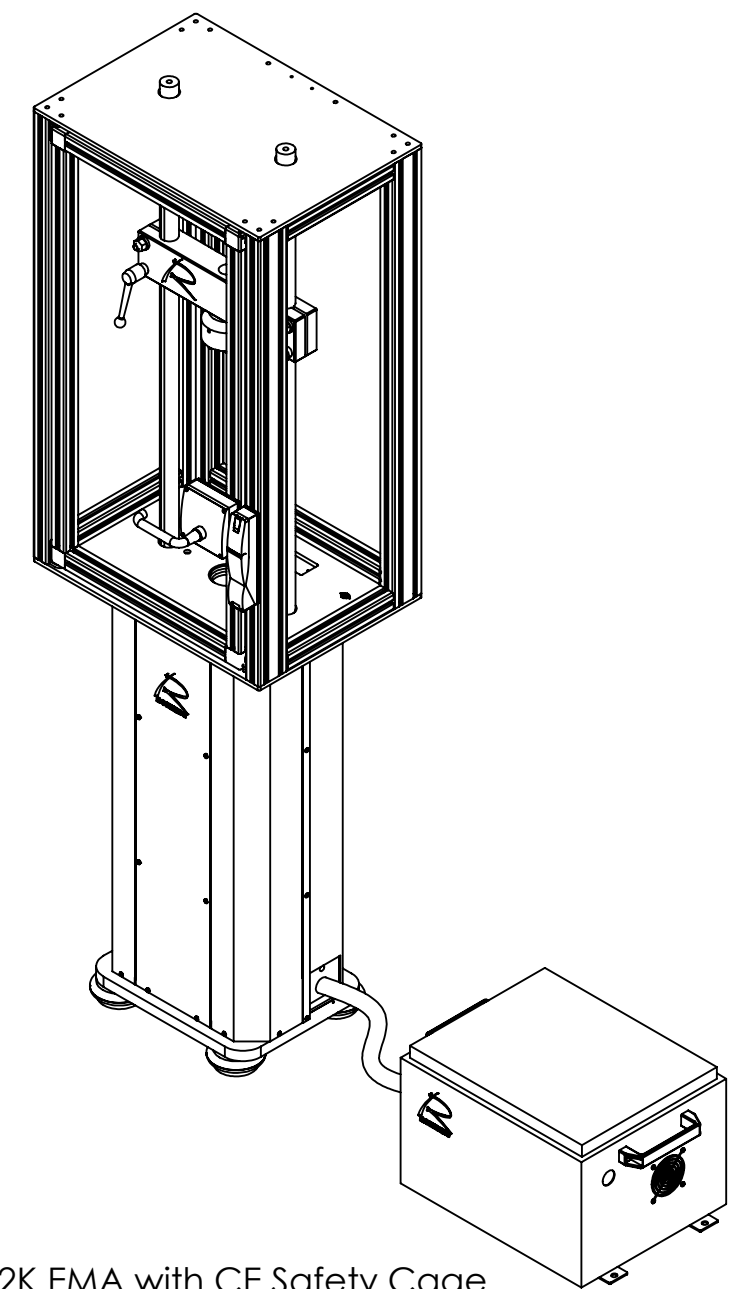
2K EMA with CE Safety Cage  
- Front View-



2K Power Enclosure  
- Top View -



2K Power Enclosure  
- Front View -



2K EMA with CE Safety Cage  
and Power Enclosure  
- Front View-

Notes:

- Standard heights for 2K EMA shafting and CE Safety Cage shown, custom lengths available
- Six foot power cable connects 2K EMA and Power Enclosure

Assembly Weights	Lbs	Kgs
2K EMA with CE Safety Cage	516	234.1
Power Enclosure	84	38.1



ITEM NO.	PART OR IDENTIFYING NO.	NOMENCLATURE OR DESCRIPTION	MATERIAL SPECIFICATION	QTY REQD
PARTS LIST				
UNLESS OTHERWISE SPECIFIED DIMENSIONS ARE IN INCHES TOLERANCES ARE:		CAD GENERATED DRAWING, DO NOT MANUALLY UPDATE		
DECIMALS .X +/- .050		APPROVALS		
ANGLES .XX +/- .010		DRAWN MAF		
.XXX +/- .003		DATE 4-12-07		
MATERIAL --		CHECKED		
FINISH --		RESP ENG		
NEXT ASSY		MFG ENG		
USED ON		QUAL ENG		
APPLICATION		DO NOT SCALE DRAWING		
SIZE A	DWG. NO.	--		REV. X
SCALE	CAD FILE:	SHEET 1		OF 1

ROEHRIG ENGINEERING, INC.  
2K EMA Assembly with CE Safety Cage and Power Enclosure