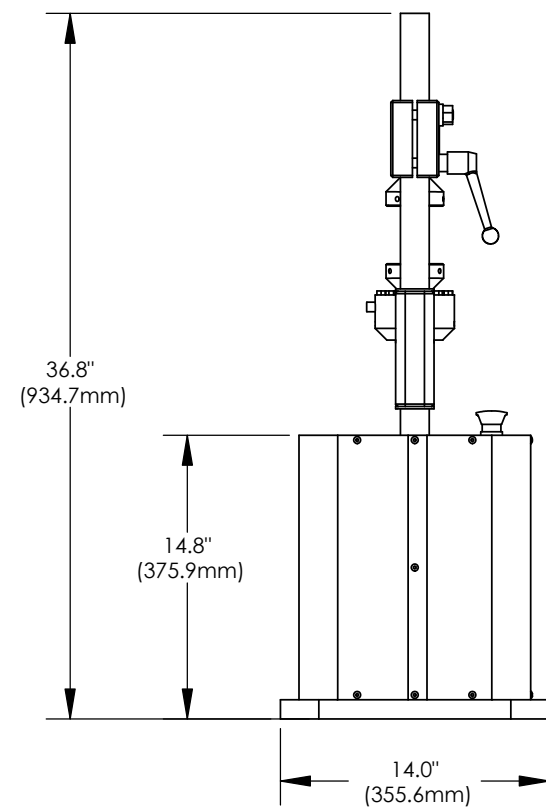
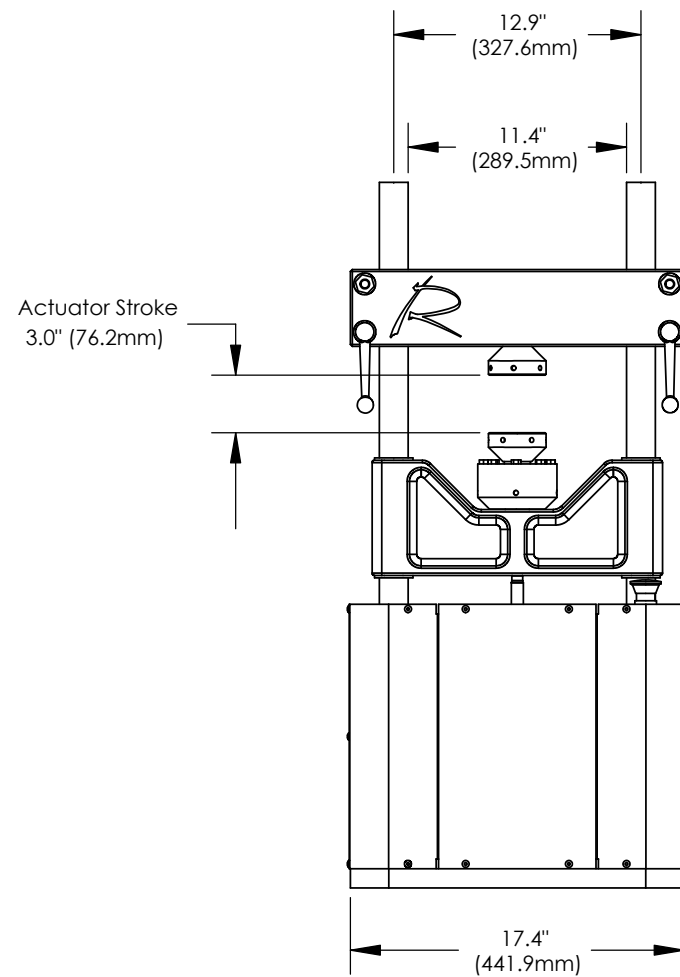


8 7 6 5 4 3 2 1

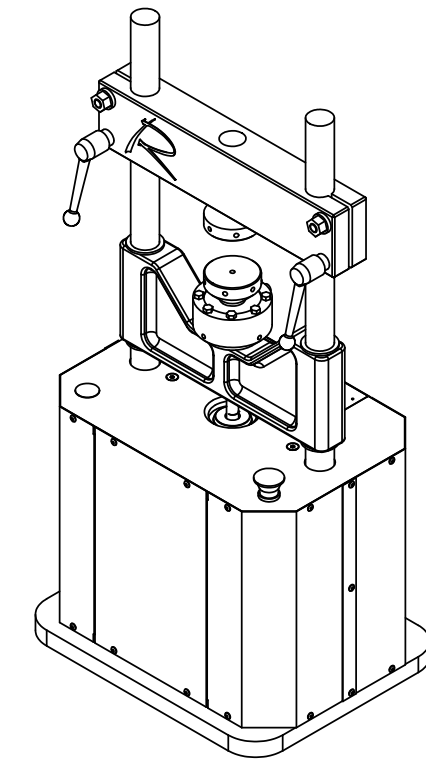
D  
C  
B  
A



ASR 11D3  
- Side View -



ASR 11D3  
- Front View -



ASR 11D3  
- Isometric View -

- Notes:
- Standard heights for Advanced Spring Rater columns shown, custom lengths available
  - Max Actuator Force: 1100 lbf (45.3Kgf)



ITEM NO.	PART OR IDENTIFYING NO.	NOMENCLATURE OR DESCRIPTION	MATERIAL SPECIFICATION	QTY REQD
PARTS LIST				
UNLESS OTHERWISE SPECIFIED DIMENSIONS ARE IN INCHES		CAD GENERATED DRAWING, DO NOT MANUALLY UPDATE		ROEHRIG ENGINEERING, INC.
TOLERANCES ARE:		APPROVALS	DATE	
DECIMALS	ANGLES	DRAWN	MAF 5-1-07	Advanced Spring Rater Model # ASR 11D3
.X +/- .050	+/- 1/4 DEG	CHECKED		
.XX +/- .010		RESP ENG		
.XXX +/- .003		MFG ENG		
MATERIAL	--	QUAL ENG		
FINISH	--			
NEXT ASSY	USED ON	DO NOT SCALE DRAWING		
APPLICATION				
SIZE A	DWG. NO.	SCALE	CAD FILE:	REV. X
				SHEET 1 OF 1

8 7 6 5 4 3 2 1