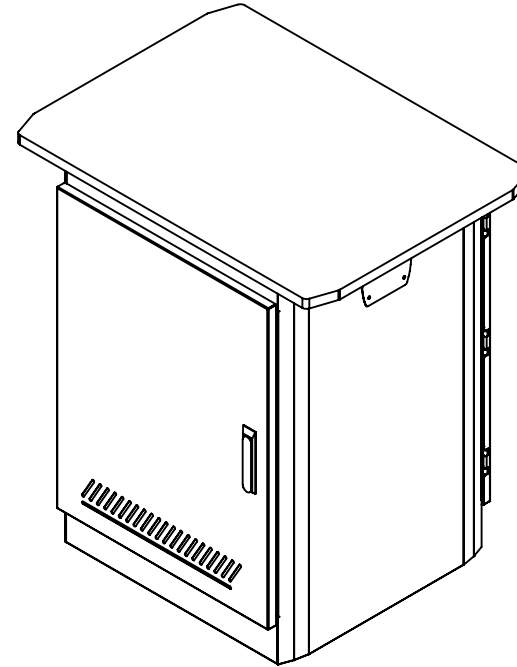
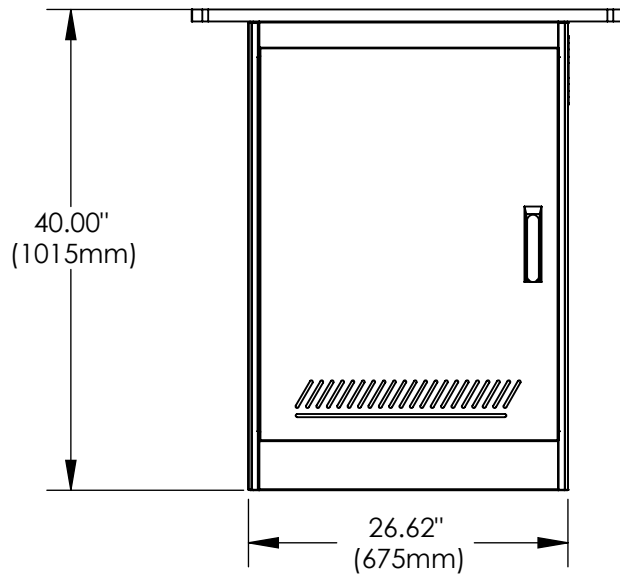
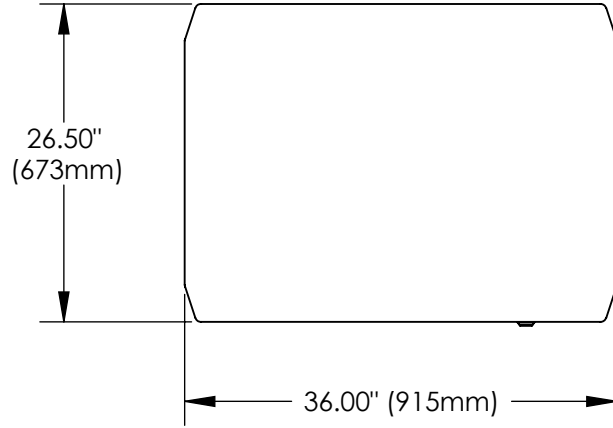


THE INFORMATION CONTAINED IN THIS DRAWING IS THE SOLE PROPERTY OF ROEHRIG ENGINEERING, INC. ANY REPRODUCTION IN PART OR WHOLE WITHOUT THE WRITTEN PERMISSION OF ROEHRIG ENGINEERING, INC. IS PROHIBITED.



- Notes;
1. Access doors front and rear
 2. Available with casters on bottom



UNLESS OTHERWISE SPECIFIED
DIMENSIONS ARE IN INCHES
TOLERANCES ARE:
DECIMALS ANGLES
.X +/- .050 +/-1/4 DEG
.XX +/- .010
.XXX +/- .003

CAD GENERATED DRAWING,
DO NOT MANUALLY UPDATE

APPROVALS		DATE
DRAWN	MAF	7/10/2009
CHECKED		
RESP ENG		
MFG ENG		
QUAL ENG		

ROEHRIG ENGINEERING, INC.

Eurobex 2500 Cabinet
Assembly

DWG. NO.	--	REV.	0
SHEET 1 OF 1			